



Casing Fan 92

To support the minimum ventilation for industrial and agricultural applications, Vostermans Ventilation introduces a new version of the Multifan Casing Fan 92. The Multifan Casing Fan 92 is characterized by a compact design and is delivered as a complete unit, easy to install.

Specific features

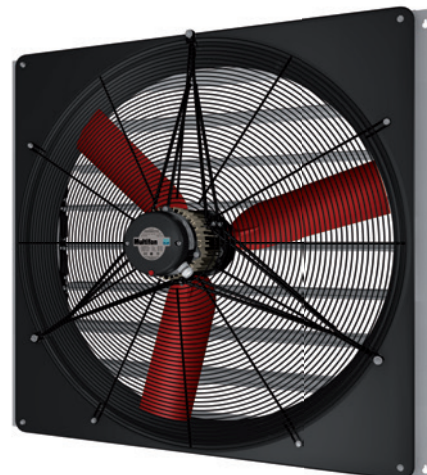
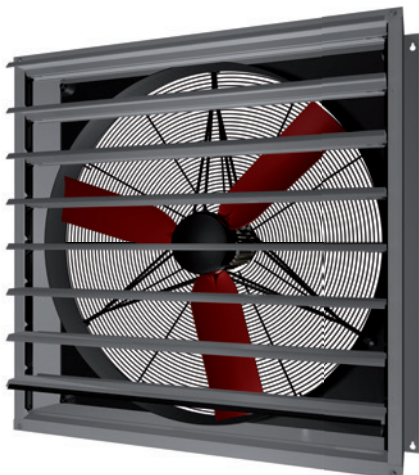
The flange makes it possible to easily build in the Multifan Casing Fan 92 in the wall. The unit is provided with a specially developed panel fan, which is integrated in the casing. The solid frame ensures the necessary stability. The direct driven fan is more efficient and needs less maintenance compared to belt driven fans. The standard three-phase motor is not speed controllable, however other versions (single-phase, speed controllable through transformer or frequency controller) are deliverable at request. The fan is provided with a CE-approved grill at the motor side; a grill at the shutter side is optional. The fan is supplied with a new type of shutter which reduces air and light entrance from outside. The fan (exclusive shutter and grill) has a 3 year warranty.

Features:

- Optimal motor – impeller combination
- Motor construction Class F (155°C/311°F)
- Rotor and stator are corrosion resistant coated
- Corrosion free parts and fastening material
- Special bearings with special grease
- The windings are provided with 3 insulation layers
- All parts can be recycled
- Water resistant (IP55)

Advantages:

- Low power consumption
- Long durability
- High reliability
- Low maintenance
- Easy to install
- Easy cleaning
- Suitable for different applications
- Safe in use
- Low noise level
- 3 year warranty on the fan



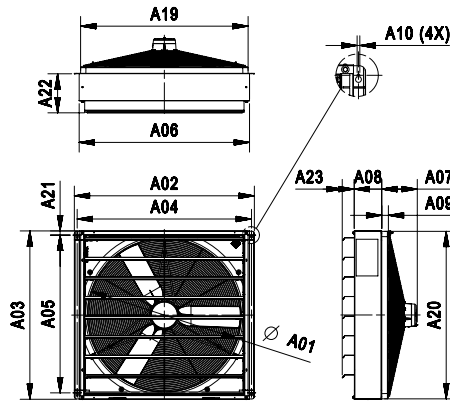
Dimensions

3~230/400V 50 Hz	900 RPM	Type	I _{nom} (A)	I _{nom} (A)	P _{in}	SFP (CFM/W)	Controllability*	Motor Protection Switch (A)	Motor Protection Switch (A)	L _{PA} **
		∅ inch	230 V	400 V	(W)	at 0" S.P.	230 V	400 V	dB (A)	
3~230/400V 50 Hz	900 RPM	36 Casing 6D92	2.60	1.50	680	15.1	ON / OFF	2.9	1.7	67
		36 Casing 6D92	2.85	1.65	760	15.6	T/F	3.1	1.8	64
	1~230V 50 Hz	36 Casing 6E92	4.15	-	820	15.7	E/T	4.8	-	67

(*) Controllable Electronically (E), by Transformer (T) or by Frequency (F)
 (**) Sound pressure level measured at 7 m. free blowing distance.

3~230/400V 50 Hz	900 RPM	Type	Q _v (CFM)									
		S.P. _{max}	0" S.P.	0.04" S.P.	0.08" S.P.	0.12" S.P.	0.16" S.P.	0.20" S.P.	0.24" S.P.	0.28" S.P.	0.32" S.P.	
3~230/400V 50 Hz	900 RPM	Casing 6D92	0.32	10300	9947	9535	9005	8417	7769	7063	6298	5592
		Casing 6D92	0.32	11948	11419	10889	10359	9770	9182	8534	7652	6769
	1~230V 50 Hz	Casing 6E92	0.32	11948	11419	10889	10359	9770	9182	8534	7652	6769

Optional: wire guard at blowing (shutter) side
 All air capacities without wire guard



Dimensions (inch)																
∅ inch	Type	A01	A02	A03	A04	A05	A06	A07	A08	A09	A10	A19	A20	A21	A22	A23
36	Casing 6D92 ON/OFF	36.0	42.5	39.9	41.2	37.3	40.2	8.4	6.5	1.6	0.3	39.6	39.6	1.0	9.2	2.8
36	Casing 6D92 Casing 6E92	36.0	42.5	39.9	41.2	37.3	40.2	10.4	6.5	1.6	0.3	39.6	39.6	1.0	9.2	2.8



Vostermans Ventilation Inc.
 2439 S.Main St. – USA
 Bloomington, IL 61704
 Tel. +1 309 827 - 9798
 Fax +1 309 829 - 1993
ventilation@vostermansusa.com
www.vostermansusa.com

All rights reserved. Vostermans Companies is not responsible for inaccurate or incomplete data. In case of questions and / or regards, please contact ventilation@vostermans.com

Vostermans Ventilation B.V. develops, produces and distributes the full line of:



Subject to alterations 10/2012