



## Multifan 130

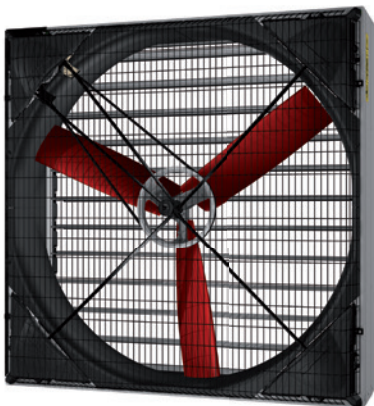
Through the aerodynamic design of the Multifan 130, Vostermans Ventilation can offer the market a fan with high air volumes (26839 CFM at 0" S.P.) with a very low power consumption (16 CFM/W). Tunnel or length ventilated houses demand, through higher product performances higher quantities of fresh air at low cost.

### Advantages

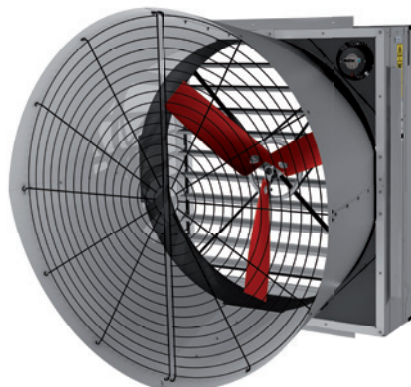
- Designed to allow minimal air losses
- The blades are especially 3-dimensionally shaped providing a maximal air performance of the fan
- Low noise level
- High air flow with minimal effort
- Durability as an asset
- Materials resistant against aggressive climates
- Easy to clean for optimal hygiene
- For higher pressures in poultry- or pig farms (from 0.24" S.P. to 0.36" S.P.) a 5-blade Multifan 130 is available
- Available with cone fan and with shutter on the inside, providing further possibilities for increasing the airflow capacity

### Optional

- Controllable with frequency controller
- CE-wire guard
- Multiple versions available: 3 blade version, 5-blade version, with cone



Multifan 130 with 3 blades



Multifan 130 with Cone



Multifan 130 with 5 blades

# Dimensions

3 ~ 230/400 V 50 Hz; 240/420 V 60 Hz	P <sub>in</sub>	Q <sub>v</sub> (CFM)						
		0" S.P.	0.08" S.P.	0.16" S.P.	0.24" S.P.	0.32" S.P.	0.36" S.P.	0.40" S.P.
Multifan 130 with 3 blades	1650	26839	24350	21795	18211	-	-	-
Multifan 130 with 5 blades	1650	23114	21401	19665	17245	15309	14002	12713
Multifan 130 with cone 3 blades	1650	27940	25856	23302	-	-	-	-
Multifan 130 with cone 5 blades	1650	25056	23296	21454	19594	16745	14956	-

(\*) Controllable Electronically (E), by Transformer (T) or by Frequency (F)  
 (\*\*) Sound pressure level measured at 7 m. free blowing distance.

3 ~ 230/400 V 50 Hz; 240/420 V 60 Hz	SFP	I <sub>nom</sub> Δ / Y	I <sub>max</sub> Δ / Y	I <sub>nom</sub> Δ / Y	I <sub>max</sub> Δ / Y	L <sub>PA</sub> *
	(CFM/W)					
	at 0" S.P.	50 Hz	50 Hz	60 Hz	60 Hz	dB(A)
Multifan 130 with 3 blades	16.0	5,2 / 3,0	5,9 / 3,3	4,8 / 2,8	5,3 / 3,1	65
Multifan 130 with 5 blades	15.3	5,2 / 3,0	5,9 / 3,3	4,8 / 2,8	5,3 / 3,1	64
Multifan 130 with cone 3 blades	18.5	5,2 / 3,0	5,9 / 3,3	4,8 / 2,8	5,3 / 3,1	64
Multifan 130 with cone 5 blades	17.3	5,2 / 3,0	5,9 / 3,3	4,8 / 2,8	5,3 / 3,1	65

Optional: wire guard at blowing (shutter) side  
 All air capacities without wire guard

# Dimensions

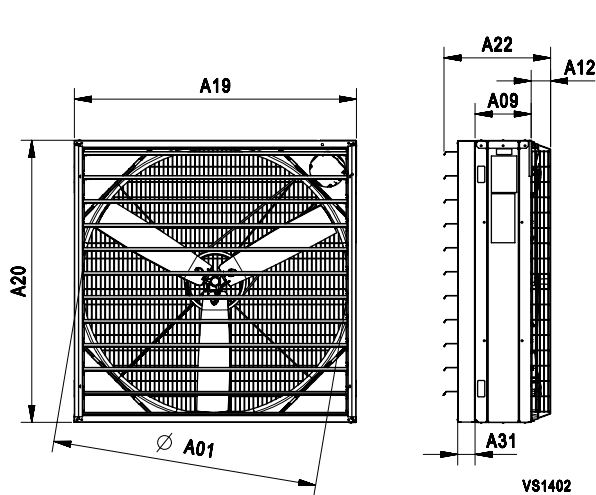


Figure 1: Multifan 130 3 blades and 5 blades

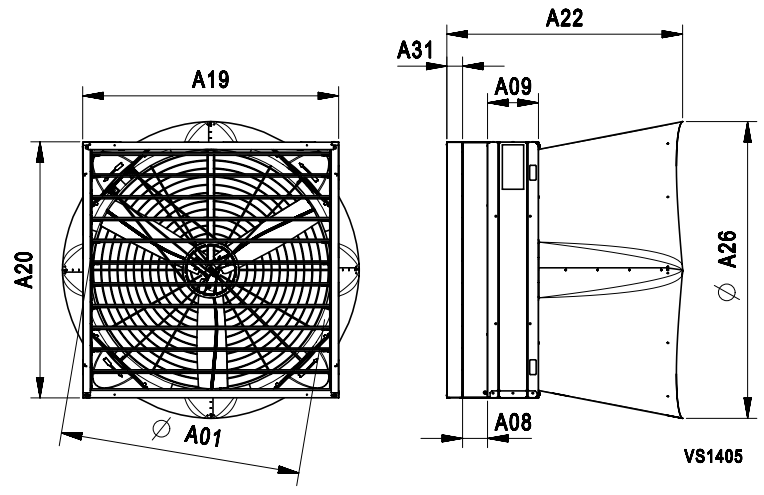


Figure 2: Multifan 130 with cone 3 blades and 5 blades

	Dimensions (inch)								
	A01	A08	A09	A12	A19	A20	A22	A26	A31
Figure 1	50.5	-	10.8	3.8	54.4	54.4	20.6	-	3.3
Figure 2	50.5	5.3	10.8	-	54.4	54.4	50.2	63.0	3.3



Vostermans Ventilation Inc.  
 2439 S.Main St. – USA  
 Bloomington, IL 61704  
 Tel. +1 309 827 - 9798  
 Fax +1 309 829 - 1993  
[ventilation@vostermansusa.com](mailto:ventilation@vostermansusa.com)  
[www.vostermansusa.com](http://www.vostermansusa.com)

All rights reserved. Vostermans Companies is not responsible for inaccurate or incomplete data. In case of questions and / or regards, please contact [ventilation@vostermans.com](mailto:ventilation@vostermans.com)

Vostermans Ventilation B.V. develops, produces and distributes the full line of:



Subject to alterations 10/2012