



Recirculation Basket Fan

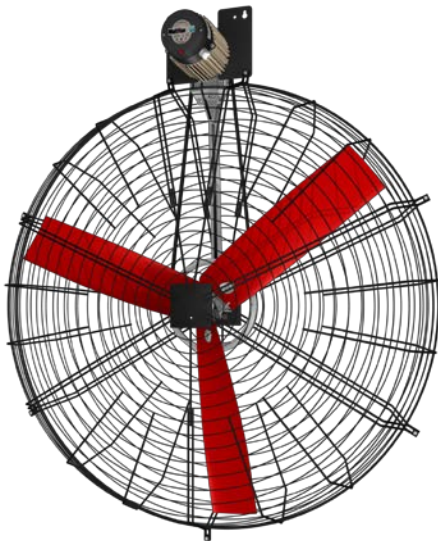
The extensive range of Recirculation Basket Fans from Vostermans Ventilation is suitable for a large number of applications. In factories, for instance, an optimal distribution of air can be critical. The temperature in facilities can increase fairly quickly in the summer months. This has direct consequences for productivity and working conditions. Solutions for conditioning the air are often too expensive or technically not feasible.

The Multifan Recirculation Basket Fans combine air circulation and air extraction to ensure a pleasant work environment and to eliminate 'heat stress'. Recirculation Basket Fans provide a constant supply of air. In addition, the air is circulated throughout the building, which means that stagnant areas are avoided. This keeps the air supply in the building stable.

The Recirculation Basket Fans from Vostermans Ventilation are in many cases an ideal situation. Thanks to the variable sizes (from 20" to 50") and the variable capacity (from 4,150 CFM to 28,200 CFM), these fans can be deployed in different building structures and under a variety of circumstances:

- circulation of cool air to improve the working climate
- in combination with air extraction fans in order to refresh the air constantly and remove warm air under difficult production circumstances
- in wet conditions
- in harsh environments

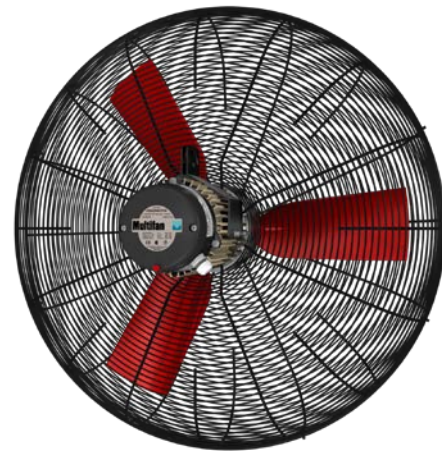
Under all these circumstances, the Multifan Recirculation Basket Fans have proved reliable.



Recirculation Basket Fan \varnothing 50"

Features:

- high level of air movement (up to 28,200 CFM at 0 S.P.)
- high throw
- variable speed optional (3-phase)
- simple, user-friendly construction
- high efficiency
- low noise level
- IP55: water-resistant



Direct drive recirculation Basket Fans available in \varnothing 20" - \varnothing 30"

Advantages:

- less 'heat stress'
- increased production
- improved air circulation and distribution
- easy to install
- low maintenance

Technical Data

Type	Frequency	Voltage	I _{nom}	P _{in}	SFP at 0 S.P.	Controllability*	Motor Protection Switch	L _p	Q _v at 0 S.P. **	Jet	
∅ (inch)	(Hz)	(V)	(A)	(W)	(CFM / W)		(A)	dB (A)	(CFM)	(ft)	
20	K4E50	60	240	1.4	310	39,5	E/T	1,7	62	4,620	252
24	K6E63	60	240	2.4	480	47,5	E/T	2,9	62	5,945	252
30	K6E71	60	240	2.5	600	40,8	E/T	3,0	62	8,650	324
50	K4D130-3PP-55	60	240/420	4.0 / 2.3	1240	25,8	T	4,4 / 2,5	67	27,960	479
50	K4E130-3PP-55	60	240	5.8	1280	26,7	-	7,0	67	28,250	479

(*) Controllable Electronically (E) or by Transformer (T)

(**) Electrical and air technical data are based on measurement with shutters; measurements are performed according to AMCA 230-99.

Dimensions

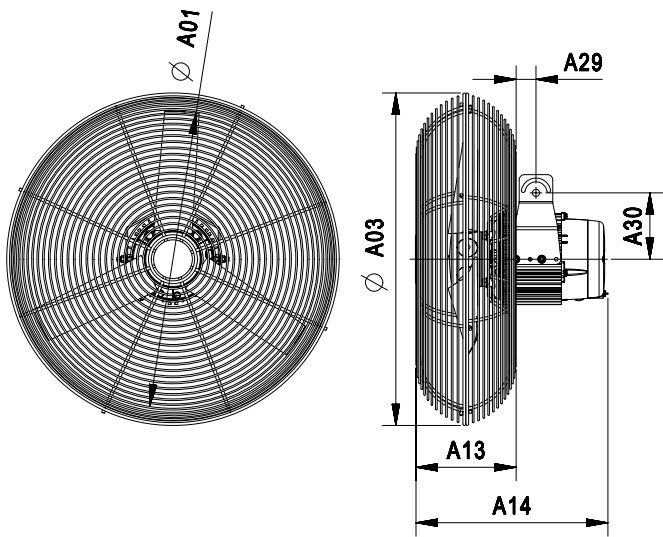


Figure 1: ∅ 20" / 24" / 30"

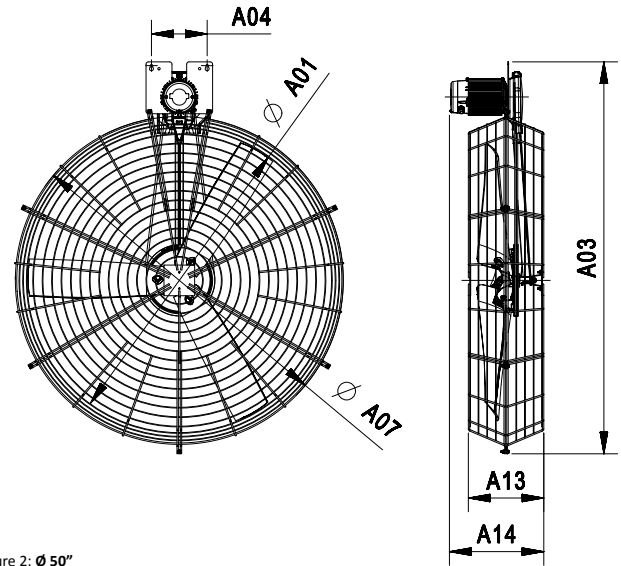


Figure 2: ∅ 50"

∅ inch	Dimensions (inch)							
	A01	A03	A04	A07	A13	A14	A29	A30
20	20.2	22.6	-	-	6.9	13.1	1.3	4.5
24	24.0	26.9	-	-	8.1	13.8	1.3	4.5
28	27.9	32.7	-	-	9.1	16.3	1.1	4.5
50	50.6	65.4	9.3	54.7	12.6	15.7	-	-



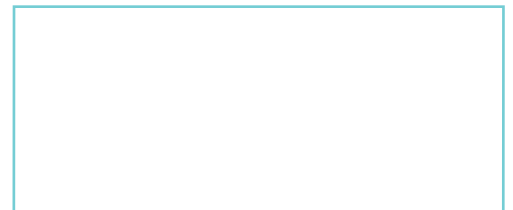
Vostermans Ventilation B.V.
P.O. Box 3025
NL-5902 RA Venlo – Holland
Tel. +31 (0)77 389 32 32
Fax +31 (0)77 382 08 93
ventilation@vostermans.com
www.vostermans.com

Vostermans Ventilation S.A.R.L.
B.P. 1801
27018 Evreux Cedex
France
Tel. +33 (0)2 32 38 11 00
Fax +33 (0)2 32 33 37 12
ventilation@vostermansfrance.com
www.vostermans.com

Vostermans Ventilation Inc.
2439 S.Main St. – USA
Bloomington, IL 61704
Tel. +1 309 827 - 9798
Fax +1 309 829 - 1993
ventilation@vostermansusa.com
www.vostermansusa.com

Vostermans Ventilation Sdn. Bhd.
330, Lot 2593, Jln Seruling 59, Kws3,
Tmn Klang Jaya, 41200, Klang,
Selangor D.E., Malaysia
Tel. +60 (0)33324 3638 (HL)
Fax +60 (0)33324 1239
ventilation@vostermansasia.com
www.vostermans.com

Vostermans Ventilation B.V. develops, manufactures and distributes the full line of:



All rights reserved. Vostermans Companies is not responsible for inaccurate or incomplete data. In case of questions and / or regards, please contact ventilation@vostermans.com

