

Motor protection switches

The MBS-series exists of motor protection switches which protect fan motors against overload and phase failure. The current range is 0,4-25 Amps. For these switches an IP55 housing is available. For single-phase motors provided with a thermo contact a special version is available.

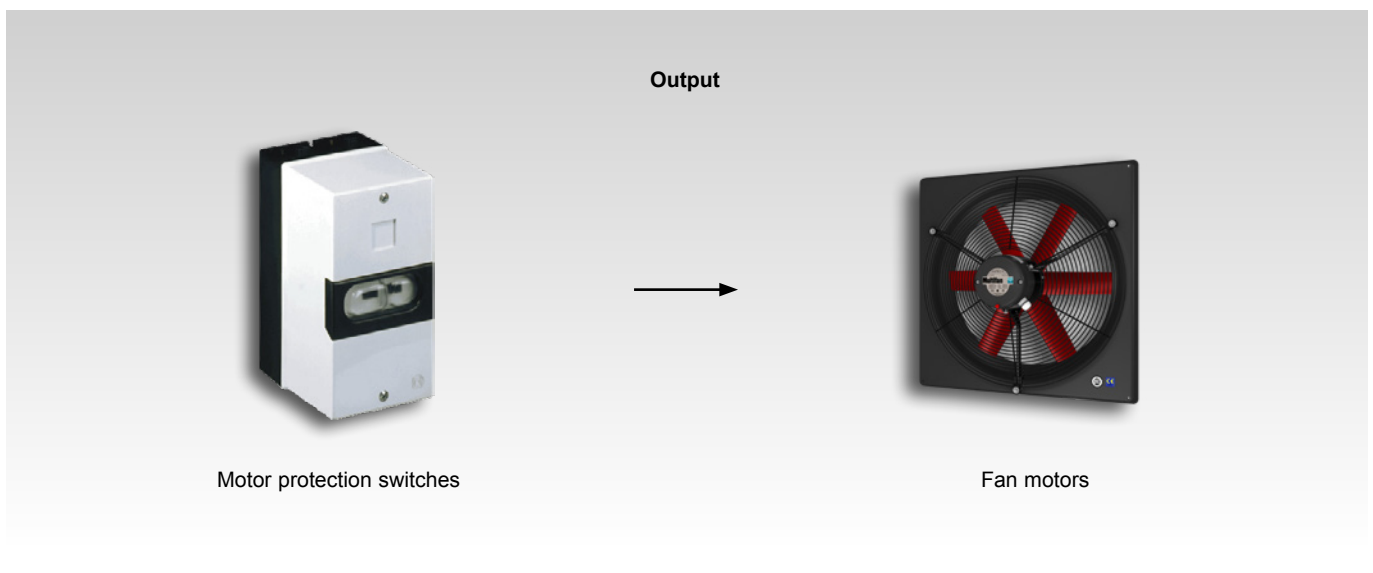


Benefits:

- Optimal protection of the fan motor
- Solid
- Reliable

Features:

- Current range from 0,4 to 25 Amps (depending on type)
- Applicable as on/off and lockable operating switch
- Testing possibility
- Adjustable current range (MBSESM-series)
- Modular system
- IP55 housing available



Overview MBS motor protection switches

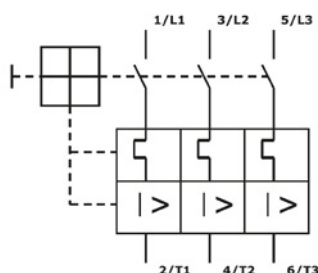
MBS motor protection switch for single-phase and three-phase motors		
Setting range in Amps.	Article number	Version
0,40 - 0,63 A	MBSESM063	interior
0,63 - 1,00 A	MBSESM1	interior
1,00 - 1,60 A	MBSESM116	interior
1,60 - 2,50 A	MBSESM125	interior
2,50 - 4,00 A	MBSESM4	interior
4,00 - 6,30 A	MBSESM463	interior
6,30 - 10,0 A	MBSESM10	interior
10,0 - 16,0 A	MBSESM16	interior
20,0 - 25,0 A	MBSESM25	interior

MBS motor protection switch for single-phase motors provided with thermo contact		
Setting range in Amps.	Article number	Version
0,40 - 10 A	MBSESC10ZK	interior

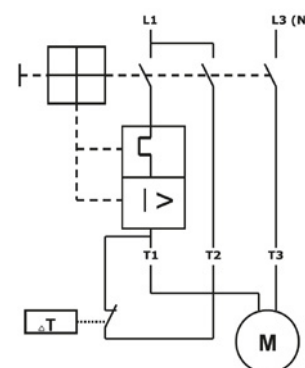
MBS Opties	Article number	Version
IP55 housing for MBS	MBSESMGE1	Housing

Diagram Motor Protection Switches

MBS for single-phase and three-phase motors.



MBS reacts to the thermocontact for single-phase motors (MBSESC10ZK).



Why choose Vostermans Ventilation:

LOYAL TO YOU

We care for your specific needs based on our long expertise. In close cooperation with you we secure your business outcomes.

RELIABLE

Since our foundation in the Netherlands in 1952, we maintain our reputation as reliable partner. Our carefully selected global network of independent distributors strive to deliver you dedicated service and expertise.

FUTURE PROOF

Our future proof approach, which combines energy efficiency solutions with robust quality and rigorous testing, is based on a genuine commitment to serve as a trusted partner.

Vostermans Ventilation is a global developer and manufacturer of sustainable axial fans for the agricultural and industrial market. Sustainability is key for Vostermans. Their premium brandlines Multifan and EMI are showcasing the drive for advanced energy efficient fans. The company applies continuous innovation and research in their own motor production facility and in house state of the art R&D department. Vostermans Ventilation, part of Vostermans Companies founded in 1952, is based in Venlo, the Netherlands and operates in USA, China and Malaysia.



YOUR SPECIALIST IN AIR

All rights reserved. Vostermans Companies is not responsible for inaccurate or incomplete data. In case of any questions and / or remarks please contact ventilation@vostermans.com. Subject to alterations 01/2020

Venlo - The Netherlands
Tel. +31 (0)77 389 32 32
ventilation@vostermans.com

Bloomington, IL- USA
Tel. +1 309 827-9798
ventilation@vostermansusa.com

Tmn Klang Jaya - Malaysia
Tel. +60 (0)3 3324 3638
ventilation@vostermansasia.com

Shanghai - China
Tel. +86 21 5290 2889/2899
ventilation@vostermanschina.com